

# WL410-HL

400FT Wireless HDMI/SDI Transmission System



## Features

- Transmission Range: 400ft
- Channel Selection: 0-9
- Full HD 1080P60
- Chroma Subsampling 4:2:2
- No Compression, No Latency
- Point to Point & Broadcast Mode
- HD-SDI In/Out, HDMI In/Out
- 5GHz ISM Frequency Band

## Highlights



Supply Voltage: 7-36VDC



Built-in Receiver



Timecode

# Packing List



5 GHz Antennas\*2 Flat Screwdrivers\*2 Magic Arm\*1 Crab Clamp\*1 D-tap to Lemo Cables\*2



Hard Case\*1



Transmitter\*1



Receiver\*1



User Manual\*1



# Application



Monitor



Receiver



400ft, up to 700ft



Transmitter



Camera

	Transmitter	Receiver
Interface	SDI Input ( BNC Female ) ; HDMI Input (Type A female) ; 2 Antenna port(RP-SMA male) ; DC input	SDI Output ( BNC Female ) ; HDMI Output (Type A female); DC input
Supply Voltage Range	7-36V DC	7-36V DC
Power Consumption	< 6.5 W	< 7.5 W
Size	(L x W x H): 115x 67 x 23mm don't include antennas	(L x W x H): 152x 95 x 23mm
Mass Weight	270g	355g
Input Video Format	HDMI:525i, 625i, 720p 50/59.94/60,1080i 50/59.94/60, 1080p23.98/24/25/29.9/30/50/59.94/60;HDMI Type A SDI:3G, HD, and SD-SDI (auto-selected), SMPTE-259/274/292/296/372/424/425;1x BNC	/
Output Video Format	/	HDMI:525i, 625i, 720p 50/59.94/60,1080i 50/59.94/60, 1080p23.98/24/25/29.9/30/50/59.94/60;HDMI Type A SDI:3G, HD, and SD-SDI (auto-selected), SMPTE-259/274/292/296/372/424/425;1x BNC
Input Audio Format	SDI embedded 2 channel 24 bit/48KHz	/
Output Audio	/	SDI embedded 2 channel 24 bit/48KHz
Signal Indicator	POWER-Green; VIDEO-Yellow	Wireless RSSI- Green (4LEDs); POWER/VIDEO-Yellow
Frequency Band	5.1-5.9GHz,configurable with China,North American, Europe,etc	5.1-5.9GHz,configurable with China,North American, Europe,etc
Modulation Mode	OFDM 16QAM	OFDM 16QAM
Transmission Power	Maximum 18dBm	/
Receiver Sensitivity	/	-75dBm
Occupied Bandwidth	40MHz	40MHz
Temperature Range	0~40°C(operating condition); -20~60°C(Storage)	0 ~ 40°C (operating condition); -20~60°C(Storage)

# WL1010-HL

1000FT Wireless HDMI/SDI Transmission System



## Features

- Transmission Range: 1000ft
- Channel Selection: 0-9
- Full HD 1080P60
- Chroma Subsampling 4:2:2
- No Compression, No Latency
- Point to Point & Broadcast Mode
- HD-SDI In/Out, HDMI In/Out
- 5GHz ISM Frequency Band

## Highlights



Supply Voltage: 7-36VDC



DFS



Trigger & Timecode

# Packing List



5 GHz Antennas\*7



Flat Screwdrivers\*2



Magic Arm\*1



Crab Clamp\*1



D-tap to Lemo Cables\*2



Hard Case\*1



Transmitter\*1



Receiver\*1



User Manual\*1



# Application



Monitor



Receiver



1000ft, Up to 1500ft



Transmitter



Camera

	Transmitter	Receiver
Interface	SDI Input (BNC Female) ; HDMI Input(Type A female); 2 Antenna port(RP-SMA male) ; DC input (4 pin LEMO female)	SDI Output (BNC Female) ; HDMI Output(Type A female); 5 Antenna port(RP-SMA male) ; DC input (4 pin LEMO female)
Supply Voltage Range	7-36V DC	7-36V DC
Power Consumption	< 6.5 W	< 7.5 W
Size	(L x W x H): 120x 70 x 25mm ,don't include antennas	(L x W x H): 160x 110 x 25mm , don't include antennas
Mass	380g	540g
Input Video Format	HDMI:525i, 625i, 480p 59/60, 720p 50/59.94/60,1080i 50/59.94/60, 1080p23.98/24/25/29.9/30/50/59.94/60;HDMI Type A SDI:3G, HD, and SD-SDI (auto-selected), SMPTE-259/274/292/296/372/424/425;1x BNC	/
Output Video Format	/	HDMI:525i, 625i, 480p 59/60, 720p 50/59.94/60,1080i 50/59.94/60, 1080p23.98/24/25/29.9/30/50/59.94/60;HDMI Type A SDI:3G, HD, and SD-SDI (auto-selected), SMPTE-259/274/292/296/372/424/425;1x BNC
Input Audio Format	SDI embedded 2 channel 24 bit/48KHz	/
Output Audio	/	SDI embedded 2 channel 24 bit/48KHz
Signal Indicator	POWER-Green; VIDEO-Yellow	POWER-Green; Wireless RSSI-Green (5LEDs); VIDEO-Yellow
Frequency Band	5.1-5.9GHz,configurable with China,North American, Europe,etc	5.1-5.9GHz,configurable with China,North American, Europe,etc
Modulation Mode	OFDM 16QAM	OFDM 16QAM
Transmission Power	Maximum 21dBm	/
Receiver Sensitivity	/	-75dBm
Occupied Bandwidth	40MHz	40MHz
Temperature Range	0~40°C(operating condition); -20~60°C(Storage)	0 ~ 40°C (operating condition); -20~60°C(Storage)

# WL1510-HL

1500FT Wireless HDMI/SDI Transmission System



## Features

- Transmission Range: 1500ft
- Channel Selection: 0-9
- USB Firmware Upgrade
- No Compression, No Latency
- Point to Point & Broadcast Mode
- 3G-SDI In/Loop Out/, HDMI In/Out
- 5GHz ISM Frequency Band
- 3G-SDI Level B

## Highlights



Supply Voltage: 7-36VDC



3G-SDI Level B



Trigger & Timecode

# Packing List



5 GHz Antennas\*8



Magic Arm\*1



Crab Clamp\*1



D-tap to Lemo Cables\*2



Hard Case\*1



Transmitter\*1



Receiver\*1



User Manual\*1



# Application



Monitor



Receiver



1500ft



Transmitter



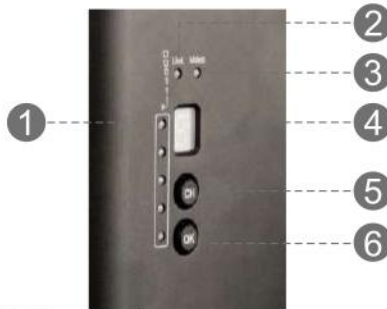
Camera

	Transmitter	Receiver
<b>Interface</b>	SDI input(BNC Female); SDI Loop out(BNC Female) HDMI input(Type A Female); 2 Antenna port(RP-SMA male) DC input(4 pin LEMO Female); Mini USB	SDI Output(BNC Female); HDMI Output (Type A female) 5 Antenna port(RP-SMA male) DC input(4 pin LEMO female); Mini USB
<b>Supply Voltage Range</b>	7-36V DC	7-36V DC
<b>Power Consumption</b>	<7W	<7.5W
<b>Weight</b>	298g	561g
<b>Size</b>	(L xWxH):116x 68 x 25mm, not include antennas and battery plate	(LxWxH):158x 102 x 25mm, not include antennas and battery plate
<b>Input Video Format</b>	HDMI:480p60,576p50,720p50/59.94/60, 1080i50/59.94/60, 1080p23.98/24/25/29.9/30/50/59.94/60; HDMI Type A; SDI:3G, HD, and SD-SDI (auto-selected); SMPTE-259/274/292/296/372/424/425;1x BNC; 1x BNC Loopout;	/
<b>Output Video Format</b>	/	HDMI:480p60,576p50,720p50/59.94/60, 1080i50/59.94/60, 1080p23.98/24/25/29.9/30/50/59.94/60; HDMI Type A; SDI:3G, HD, and SD-SDI (auto-selected); SMPTE-259/274/292/296/372/424/425; 2x BNC output;
<b>Input Audio</b>	SDI embedded 2 channel 24 bit/48KHz	/
<b>Output Audio</b>	/	SDI embedded 2 channel 24 bit/48KHz
<b>Signal Indicator</b>	link: Green Video: Yellow	link: Green Video: Yellow RSSI-Blue(5 LEDs)
<b>Frequency Band</b>	5.1-5.9GHz, configurable with China, North America, Europe,et	5.1-5.9GHz, configurable with China, North America, Europe,et
<b>Modulation Mode</b>	OFDM-16QAM	OFDM-16QAM
<b>Transmission Power</b>	Maximum 18dBm	/
<b>Receiver Sensitivity</b>	/	-75dBm
<b>Occupied Bandwidth</b>	40MHz	40MHz

# WL3010-HL

## 3000FT Wireless HDMI/SDI Wireless System with Panel Receiver

- 1.(RSSI)Received Signal Strength Indicator
- 2.Link Indicator
- 3.Video Indicator
- 4.7-Seg LED Frequency Channel Indicator
- 5.Selection Button
- 6.Confirm Button



RECEIVER



## Features

- Transmission Range: 3000ft
- Channel Selection: 0-9
- USB Firmware Upgrade
- No Compression, No Latency
- Point to Point & Broadcast Mode
- 3G-SDI In/Loop Out/, HDMI In/Out
- 5GHz ISM Frequency Band
- 3G-SDI Level B

## Highlights



Compatible with  
Cosmo Transmitters



Long Range Up to 3000ft



Built-in Receiver

# Packing List



# Application



	Transmitter	Receiver
<b>Interface</b>	SDI input(BNC female); SDI loop out(BNC female) HDMI input(Type A female); 2 Antenna port(IRP-SMA male) DC input(4pin LEMO female); Mini USB port; 3.5mm Analog In/Out port	SDI output(BNC female); SDI2 output(BNC female) HDMI output(Type A female); DC input(4pin LEMO female); Mini USB port
<b>Supply Voltage Range</b>	7-36V DC	7-36V DC
<b>Power Consumption</b>	<7W	<7.5W
<b>Weight</b>	536g	2500g
<b>Size</b>	(L x W x H): 145.5 x 89.7 x 25mm, not include antennas and battery plate	(L x W x H): 305 x 305 x 110mm
<b>Input Video Format</b>	HDMI: 480p60, 576p50, 720p50/59.94/60, 1080i50/59.94/60, 1080p23.98/24/25/29.97/30/50/59.94/60; HDMI Type A; SDI: 3G, HD, and SD-SDI (auto-selected); SMPTE-259/274/292/296/372/424/425; 1x BNC; 1x BNC Loopout;	/
<b>Output Video Format</b>	/	HDMI: 480p60, 576p50, 720p50/59.94/60, 1080i50/59.94/60, 1080p23.98/24/25/29.97/30/50/59.94/60; HDMI Type A; SDI: 3G, HD, and SD-SDI (auto-selected); SMPTE-259/274/292/296/372/424/425; 2x BNC output;
<b>Input Audio</b>	SDI embedded 2 channel 24 bit/48KHz	/
<b>Output Audio</b>	/	SDI embedded 2 channel 24 bit/48KHz
<b>Signal Indicator</b>	link: Green Video: Yellow	link: Green Video: Yellow RSSI-Blue(5 LEDs)
<b>Frequency Band</b>	5.1-5.9GHz, configurable with China, North America, Europe, et	5.1-5.9GHz, configurable with China, North America, Europe, et
<b>Modulation Mode</b>	OFDM-16QAM	OFDM-16QAM
<b>Transmission Power</b>	Maximum 18dBm	/
<b>Receiver Sensitivity</b>	/	-75dBm
<b>Occupied Bandwidth</b>	40MHz	40MHz



# 610-HL

Consumer Wireless Extender



RECEIVER



TRANSMITTER

## Features

- Transmission range:600ft
- Max resolution: 1080p@60Hz
- 5G WIFI technology
- Point to point
- Support IR and EDID
- USB firmware upgrade
- Double-color smart light belt

## Highlights



600ft at 1080P@60Hz



Low latency



Slim size

# Packing List

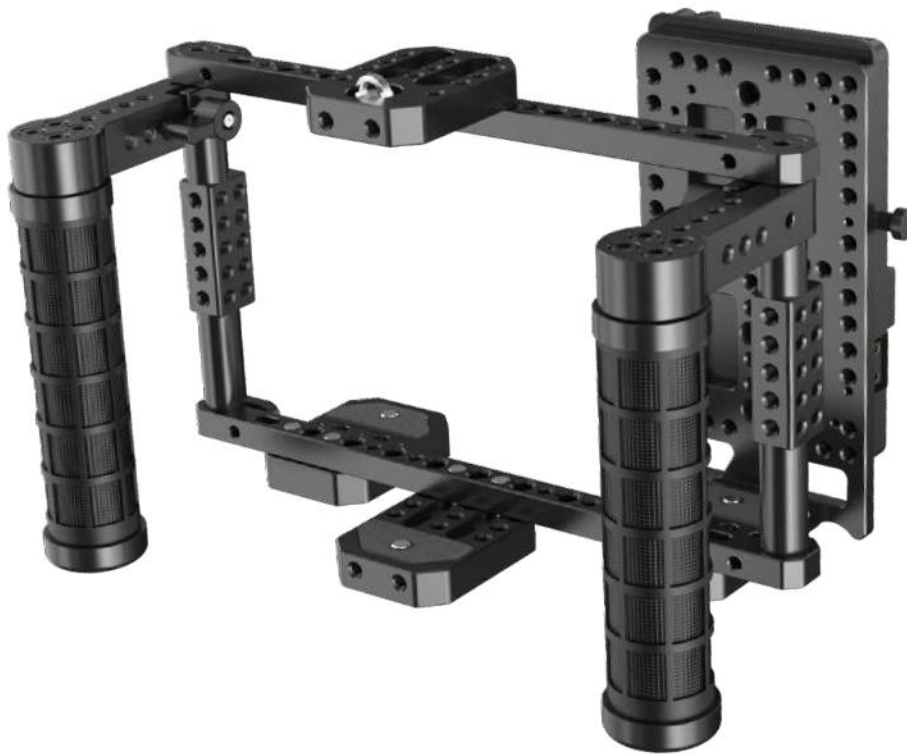


# Application



	Transmitter	Receiver
<b>Interface</b>	HDMI input( Type A female), IR in, pair port, reset port, USB port, 2 antenna ports, DC input	HDMI input( Type A female), IR out, pair port, reset port, USB port, 2 antenna ports, DC input
<b>Supply Voltage Range</b>	5V DC	5V DC
<b>Power Consumption</b>	<10W	<5W
<b>Weight</b>	0.5KG	0.5KG
<b>Size</b>	150x93.2x23MM	150x93.2x23MM
<b>Video Format</b>	Max resolution: 1080P@60Hz	Max resolution: 1080P@60Hz
<b>Audio Coding Format</b>	AAC	AAC
<b>Signal Indicator</b>	Blue and Green double color light belt	Blue and Green double color light belt
<b>WiFi Standard</b>	802.11a/n	802.11a/n
<b>Transmission Code Rate</b>	Max 8Mbps	/
<b>Transmission Power</b>	17dBm@H740-C57	
<b>Receiver Sensitivity</b>	/	-92dB@HT40
<b>Networking Mode</b>	Point to point	Point to point
<b>Transmission HDMI Standard</b>	HDMI1.3,HDCP 1.2	HDMI1.3,HDCP 1.2
<b>Receiver Sensitivity</b>	0 - 40° C (operating condition); -20-60° C(storage)	0 - 40° C (operating condition); -20-60° C(storage)
<b>Compliance</b>	FCC; CE	FCC; CE

# Monitor Cage-HL



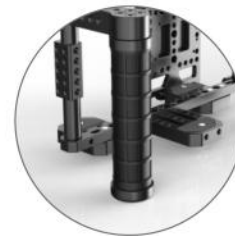
## Features

- Light Structure
- Compatible with the Most 5-9 inch Monitors
- Perfect Match with Wireless Video Transmission System
- Skid Proof Rubber Handles
- Multi & Flexible Mounting Points
- Adjustable Height of Frame
- Pure Aluminum Frame, Solid and Wear-Resistant
- No Tool Required to Dismantle
- Support 2 D-tap Battery Buckles and Supply Power

## Highlights



Light Structure



Skid Proof Rubber Handles



Multi & Flexible Mounting Points

# Description

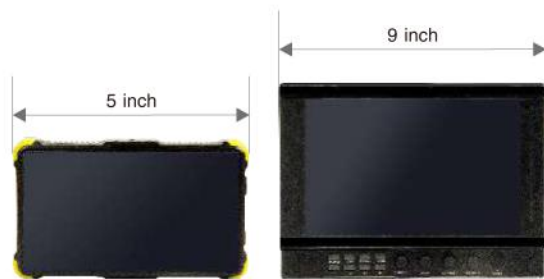
Hollyland Monitor Cage V1 is especially designed for directors and cinematographers as monitor stand system. Hollyland Monitor Cage V1 aims to improve the comfort and convenience. At the same time provide the possibility of a large number of accessories installations.



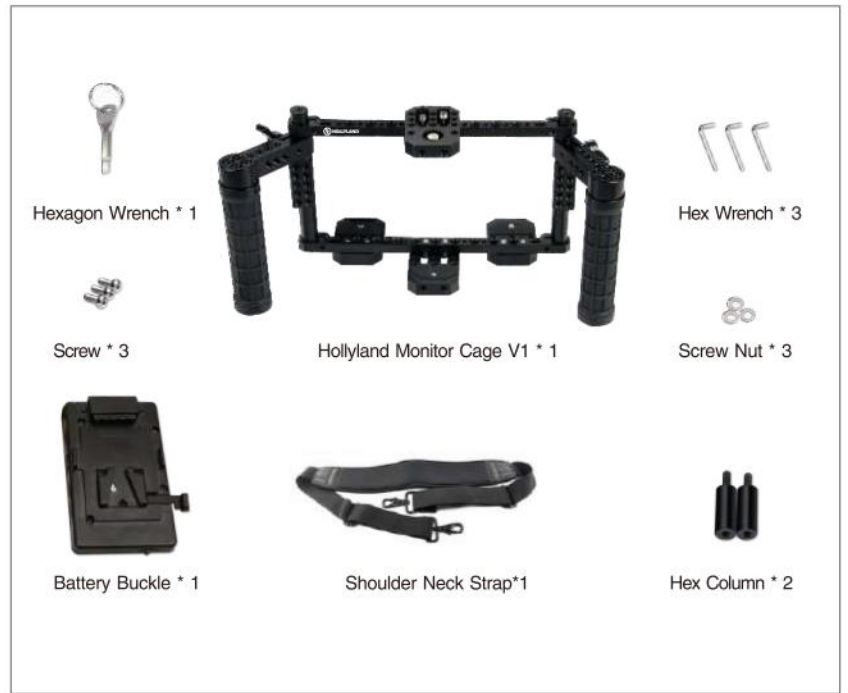
# Specification

Size	396X115X155 MM
Weight	1.2KG

Hollyland Monitor Cage V1 is compatible with the most 5-9 inch monitors in markets.



# Packing List



# Application

